

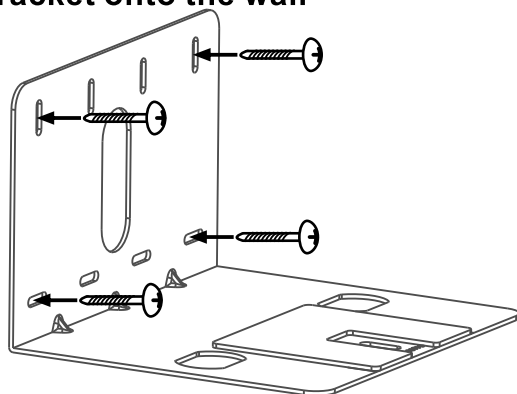
# VC-AC03 INSTALLATION GUIDE

## 1. Accessories

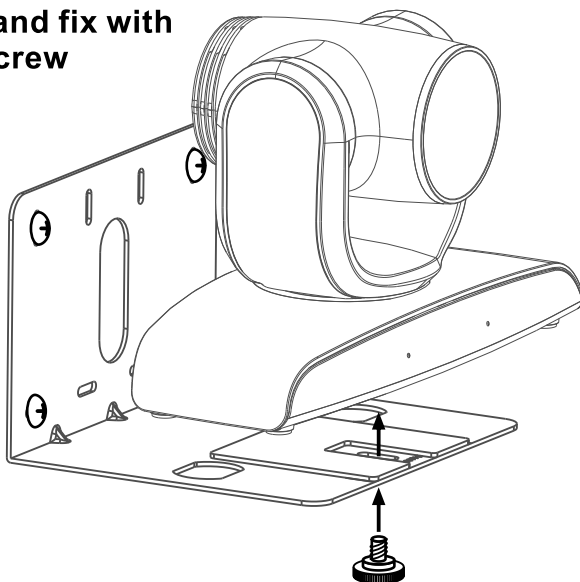
- 1.1 Locking screw for the camera
- 1.2 Quick installation guide

## 2. Installation Method

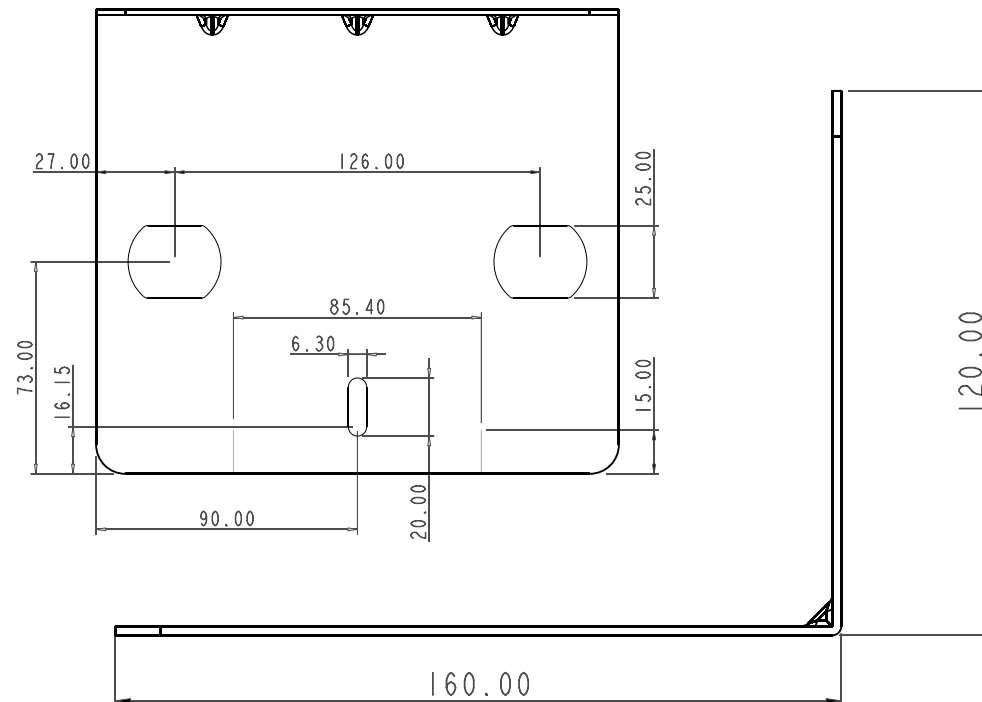
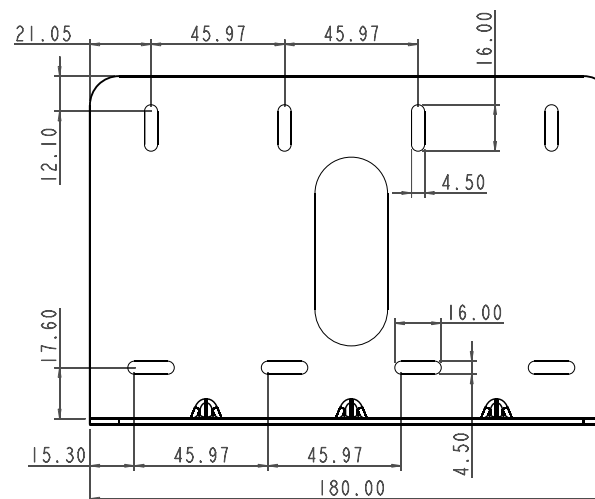
### 2.1 Lock the wall bracket onto the wall



### 2.2 Install the camera on the wall bracket, and fix with the locking screw



## 3. Size

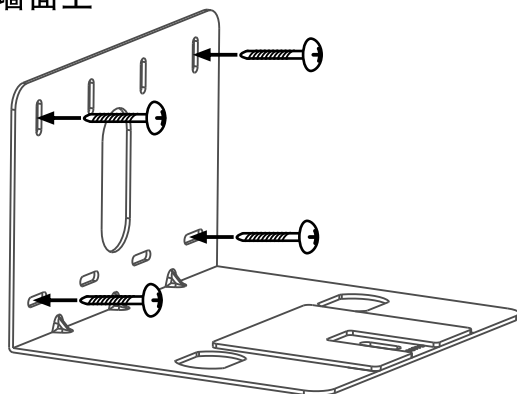


## 1. 配件

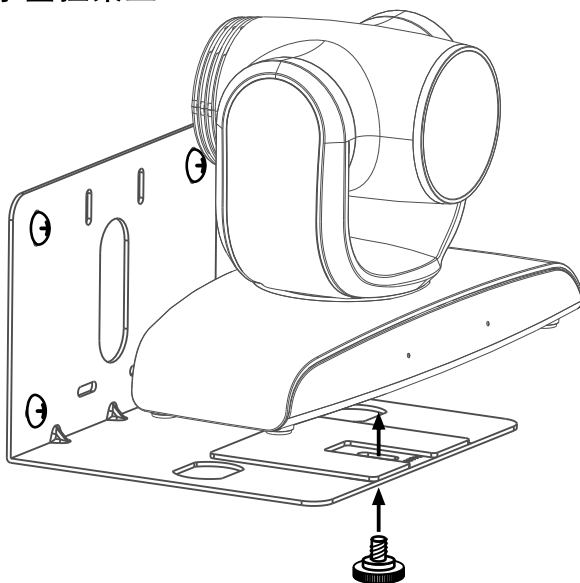
- 1.1 摄像机固定用螺丝
- 1.2 简易安装说明

## 2. 安装方法

### 2.1 将壁挂架锁附于墙面上



### 2.2 将摄像机放置于壁挂架上，锁上固定螺丝



## 3. 尺寸

