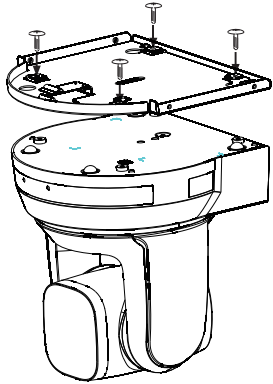
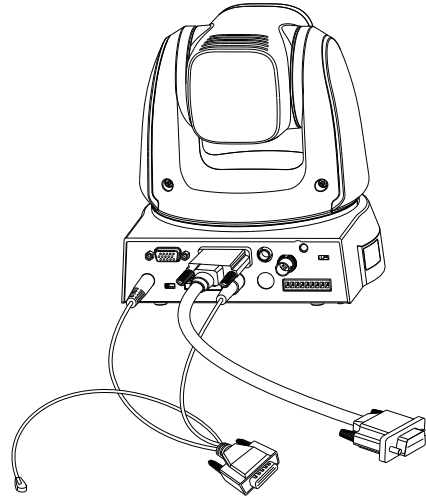


VC Camera, VC-HDTX and VC-AC08 Connection Instructions

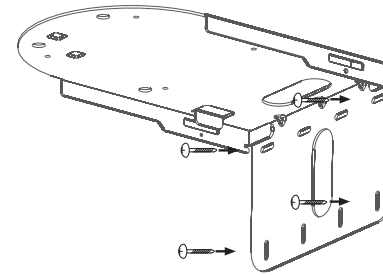
1. Secure the camera on the tray



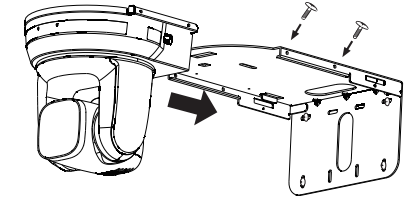
2. Connect the cables to the I/O Port of the camera



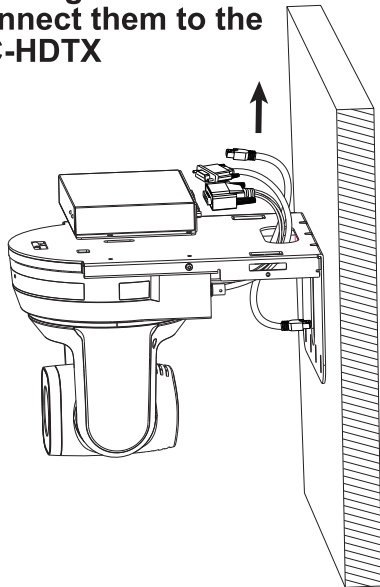
3. Secure the VC-AC08 wall-mount to the wall



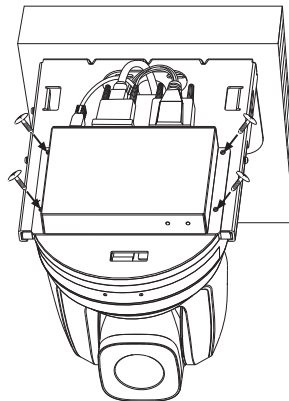
4. Insert and secure the camera onto the wall-mount



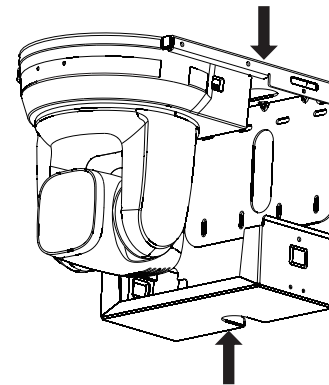
5. Pass the cables through the opening of the VC-AC08 and connect them to the VC-HDTX



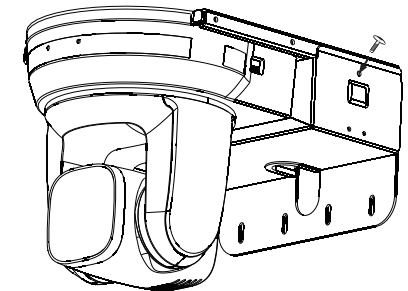
6. Secure the VC-HDTX



7. Pack the cables neatly and latch the metal plate cover



8. Tighten the screws on either side to secure the metal plate cover



[Note] The camera can be installed right-side up or upside down as needed. This description only illustrates the process for installing the camera upside down.